



Installation/ Operation Instructions Hanging Style Side Burners

Side Burner Models: LCB1-2 AND LCB2-2

1. Carefully remove the side burner from the master carton by first removing the foam which is packed around the unit. Contents include the following:

- Side burner
- Removable Lid
- Mounting Bracket- pre-installed for 30", 42", 54" application
- Flex-line/ gas connection kit
- Burner Cap Kit

Important Note: When mounting the Side Burner (LCB1-2 or LCB2-2) to a 27" or 36" Freestanding Grill, an adaptor bracket kit (LCB-BKT) is required.

Tools required- Phillips head screw driver, flat screw driver, open end adjustable wrench.

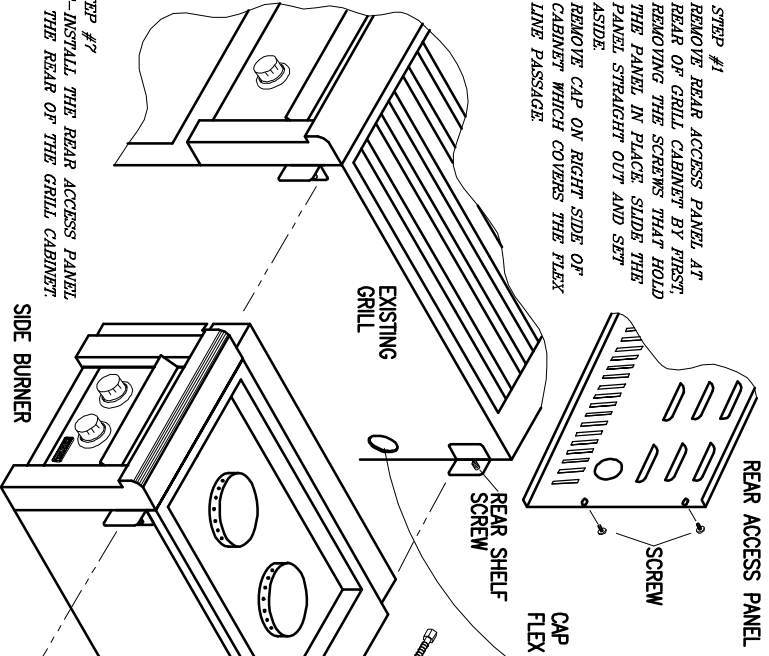
Please read all instructions before beginning installation, and follow the diagrams on pages 2-4 throughout the process.

2. **Grill cabinet preparation-** remove 'Rear Access Panel', 'Flex Line Cap', and 'Right Side Shelf', as outlined in steps 1 and 2 of Installation Diagram, from the main grill cabinet. A Phillips screw driver will be required for the rear panel and shelf removal, and a flat screw driver will be needed to remove the cap.
3. **Preparing and Hanging Side Burner-** Follow steps 3 and 4 of the Installation Diagram to guide you through the minor preparation required and the actual hanging of the side burner unit onto the grill cabinet.
4. **Gas connections-** Once the side burner unit is mounted onto the main grill cabinet, and the flex line and power harness have been passed through into the cabinet, the gas and electrical connections will need to be made. All necessary fittings have been supplied. Please refer to the LP and NG Gas Hook-up diagrams found on pages 3 and 4 for all gas connections. Use the correct diagram for your gas type. **All gas connections must be made using plumbers putty or plumbers Teflon tape suitable for gas connections. All gas connections must be checked for leaks using a soap solution of 3 parts water to one part detergent.**
5. **Electrical connections-** connect the power harness from the side burner to the power harness found inside the main grill cabinet. This connection is accomplished by first, separating the 'Molex' connectors which completes the circuit from the main grill functions to the grill transformer. The power harness from the side burner is formed in the shape of a 'T'. The connectors at the ends of the 'T' splice into the separated connectors from the grill. See step 5 and illustration found on the Installation Diagram. This connection provides power, from the main grill transformer, to the ignition function and the blue LED operation of the side burner. The blue LED lights for the side burner are now controlled by the light switch from the main grill. The ignition function, of the side burner, however, is controlled at the side burner.
6. **Side Shelf Installation-** re-install the side shelf, that was originally removed from the main grill cabinet, onto the new side burner. The installation technique used for the side burner is identical to that of the grill cabinet. NOTE: if you are installing this side burner onto a 27" or 36", the adaptor kit that is required for this installation (LCB-BKT) comes with a new side shelf that will fit this side burner cabinet depth.
7. **Rear Access Panel-** re-install the rear access panel that was removed from the rear of the main grill cabinet.

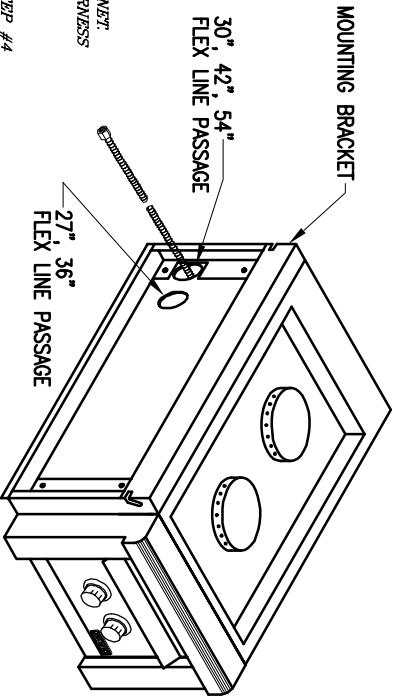


**SIDE BURNER—HANGING STYLE
LCB1-2 AND LCB2-2
INSTALLATION**

STEP #1
REMOVE REAR ACCESS PANEL AT REAR OF GRILL CABINET BY FIRST REMOVING THE SCREWS THAT HOLD THE PANEL IN PLACE. SLIDE THE PANEL STRAIGHT OUT AND SET ASIDE.
REMOVE CAP ON RIGHT SIDE OF CABINET WHICH COVERS THE FLEX LINE PASSAGE.

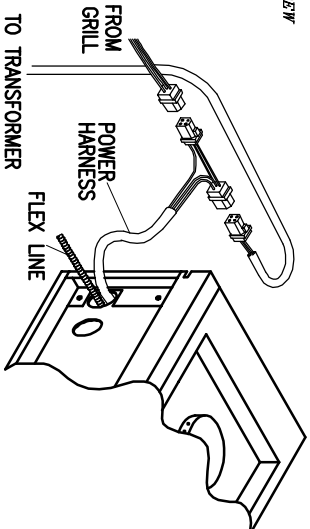


STEP #3
ENTER FROM BOTTOM OF SIDE BURNER CABINET AND REMOVE REGULATOR AT END OF MANIFOLD PIPE. (IF ONE HAS BEEN INSTALLED) LEAVE 90° ELBOW ON PIPE. FASTEN FLEX LINE DIRECTLY TO ELBOW ON MANIFOLD PIPE. ROUTE FREE END OF FLEX LINE THROUGH APPROPRIATE EXT. HOLE ON SIDE OF BURNER CABINET. ROUTE SIDE BURNER POWER HARNESS THROUGH SAME EXT. HOLE.



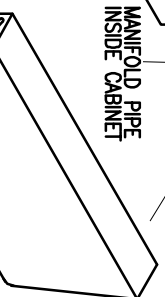
STEP #4
LIFT SIDE BURNER INTO POSITION NEXT TO CABINET. INSERT BOTH THE FLEX LINE AND THE POWER HARNESS THROUGH THE HOLE IN THE SIDE OF THE GRILL CABINET. PLACE THE SLOTS OF THE MOUNTING BRACKET DIRECTLY OVER THE PIN AND SCREW ON THE CABINET. ALLOW ENTIRE UNIT TO LOWER AND SEAT ITSELF INTO POSITION. TIGHTEN REAR SCREW COMPLETELY.

STEP #5
CONNECT THE SIDE BURNER FLEX LINE INSIDE THE GRILL CABINET PER DIAGRAM ON THE FOLLOWING PAGE. ASSURE THAT THE DIAGRAM FOR THE CORRECT GAS TYPE (NG OR LP) IS FOLLOVED. CONNECT THE POWER HARNESS FROM THE SIDE BURNER TO THE EXISTING POWER HARNESS ON THE MAIN GRILL. SPLICE THE SIDE BURNER "T" HARNESS INLINE WITH THE EXISTING CONNECTION.



STEP #6
RE-INSTALL THE SIDE SHELF ONTO THE RECEIVING SHELF BRACKETS ON THE SIDE BURNER CABINET. REVERSE THE PROCEDURE INITIALLY USED TO REMOVE THE SHELF.

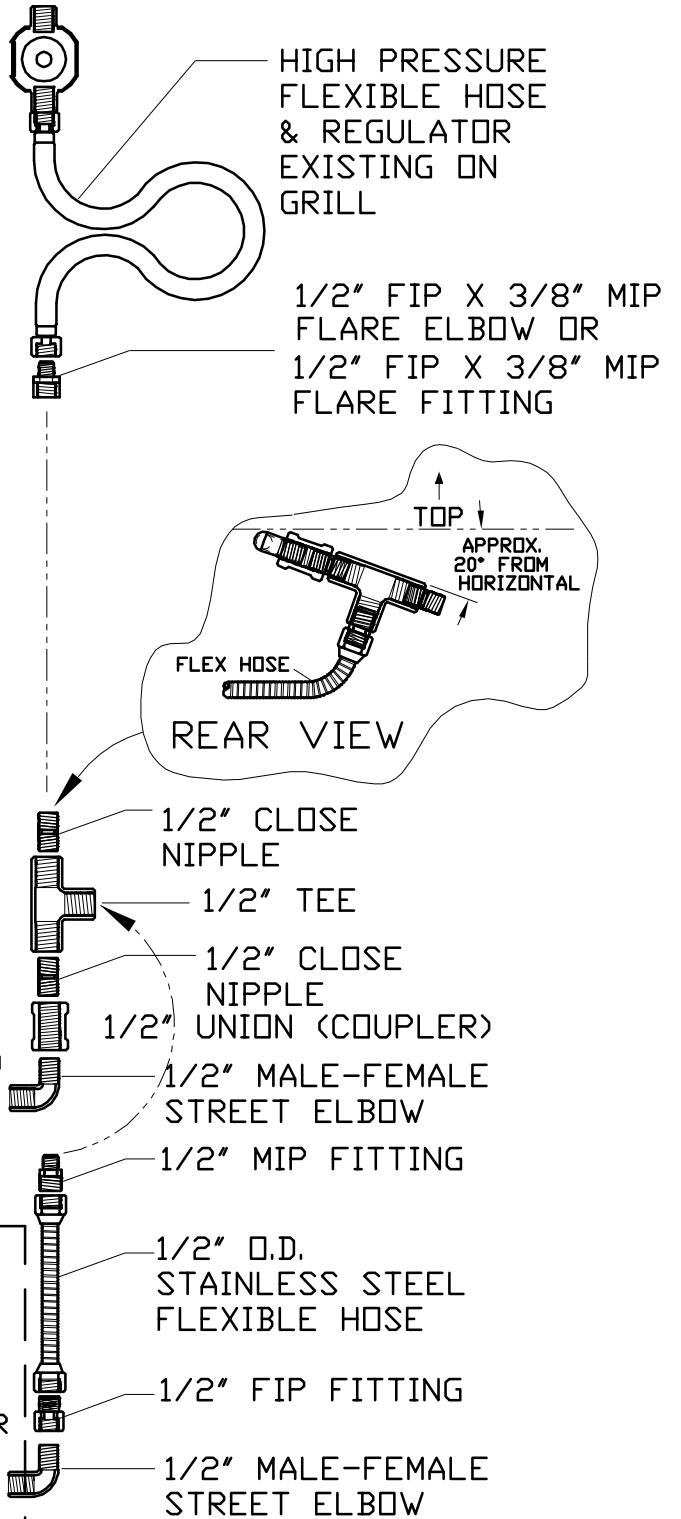
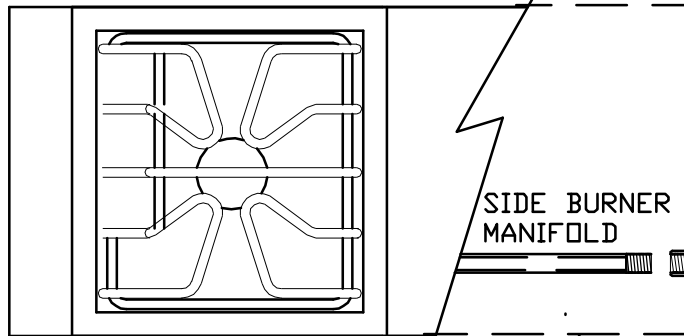
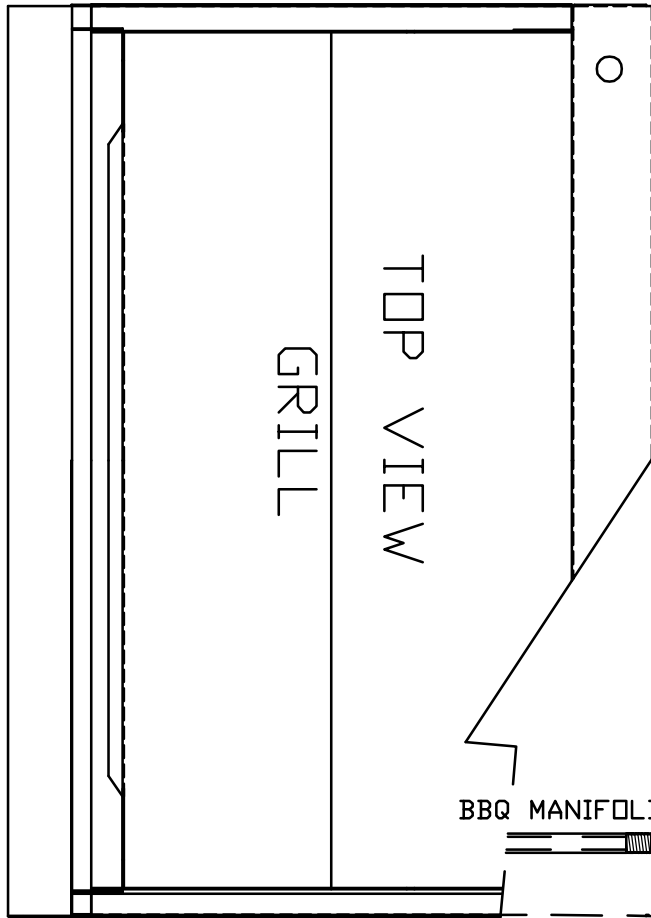
STEP #2
REMOVE EXISTING SIDE SHELF FROM RIGHT SIDE OF CABINET BY FIRST, UNTWISTING SCREW AT REAR OF SHELF UNTIL SHELF IS DISENGAGED. SIDE SHELF MAY BE REMOVED COMPLETELY. RE-TIGHTEN REAR SCREW SO NO MORE THAN 1/2" EXTENDS BEYOND INSIDE OF BRACKET.



STEP #7
RE-INSTALL THE REAR ACCESS PANEL TO THE REAR OF THE GRILL CABINET.

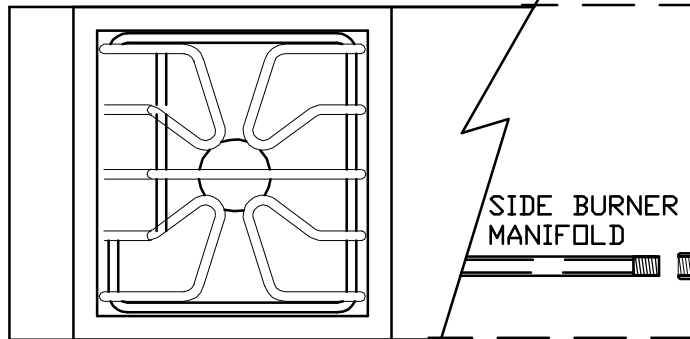
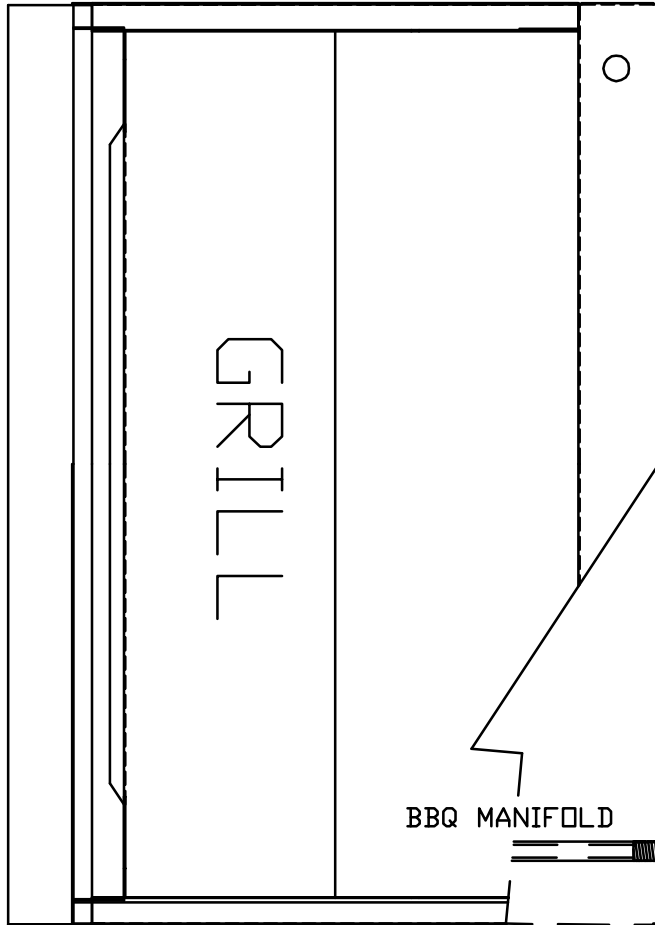


L.P. GAS HOOK-UP





NATURAL GAS HOOK-UP LP BULK-TANK HOOK-UP

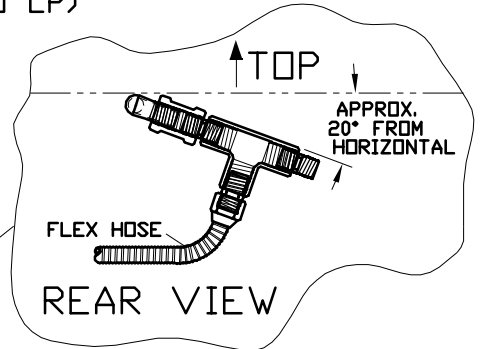


N.G. OUTLET SHUT-OFF VALVE

INTER CONNECTING PIPE WORK



REGULATOR- NG APPLICATIONS (FOR HARD-PLUMBED LP HOOK-UPS, ORDER THIS P/N 30781 AND CONVERT TO LP)



- 1/2" CLOSE NIPPLE
- 1/2" TEE
- 1/2" CLOSE NIPPLE
- 1/2" UNION (COUPLER)
- 1/2" MALE-FEMALE STREET ELBOW
- 1/2" MIP FITTING
- 1/2" O.D. STAINLESS STEEL FLEXIBLE HOSE
- 1/2" FIP FITTING
- 1/2" MALE-FEMALE STREET ELBOW